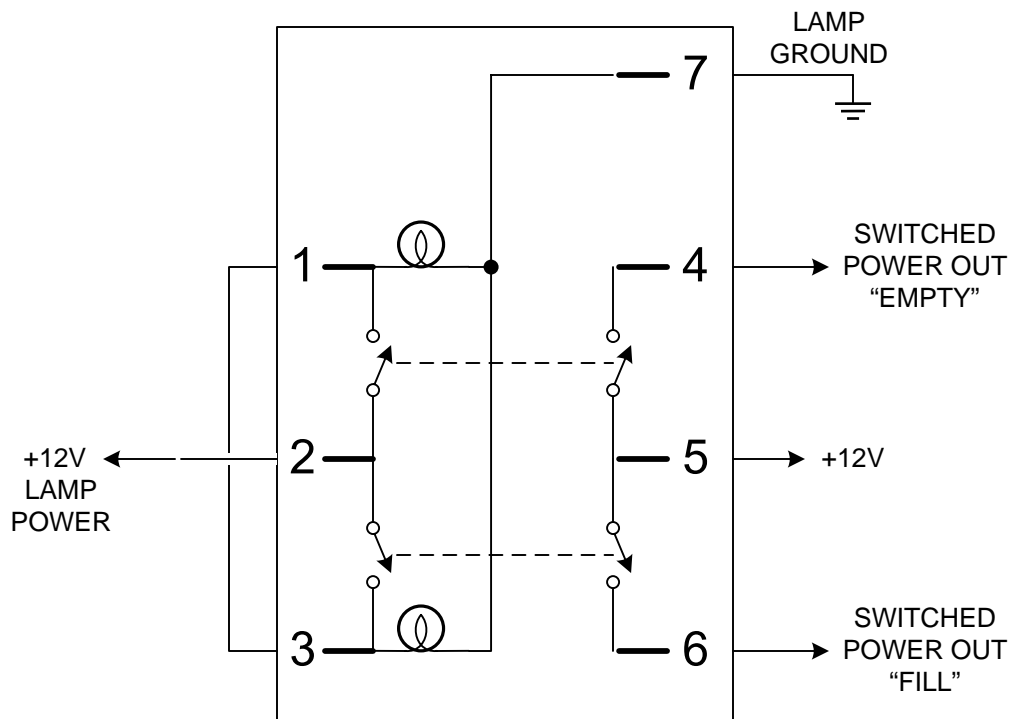


INSIDE EACH CARLINGSWITCH VJD1 SWITCH:



NOTES:

- (1) Each pair of switch contacts is closed by flipping the handle AWAY from it.
- (2) One of the 2 lamps is hidden from view.
- (3) Tie contacts 1 and 3 together in order to make both lamps light up with either switch closed.